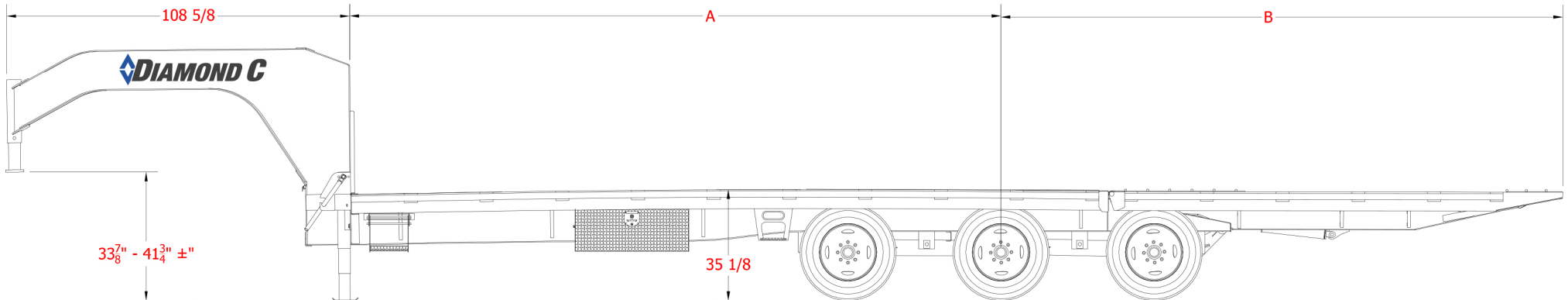


# FMAX310

Triple Dual Wheel Gooseneck (Hydraulic Dovetail)

FMAX310HDT		
LENGTH	A	B
32'	206"	178"
35'	242"	178"
38'	278"	178"
40'	302"	178"
44'	350"	178"



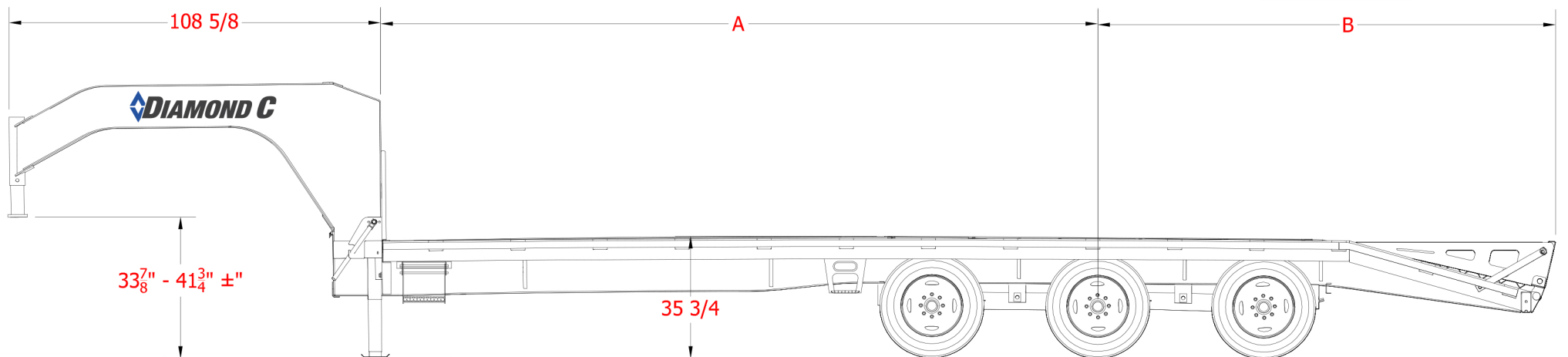
see the difference  
800.827.3512  
[www.diamondc.com](http://www.diamondc.com)



# FMAX310

Triple Dual Wheel Gooseneck (Max Ramps)

FMAX310MR		
LENGTH	A	B
28'	209"	134"
30'	216"	151"
32'	229"	162"
35'	271"	156"
38'	295"	168"
40'	313"	174"
44'	341"	193"



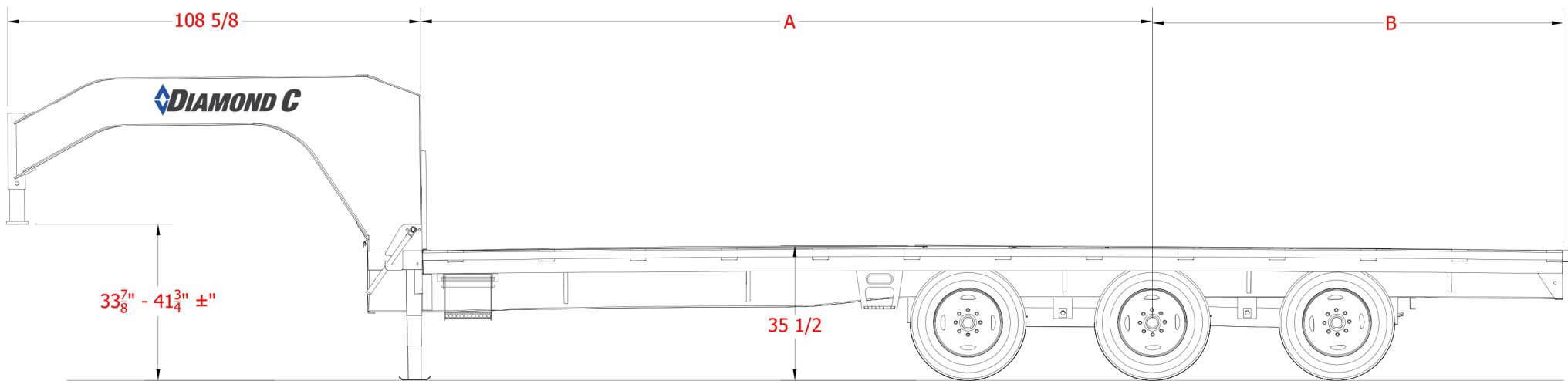
see the difference  
800.827.3512  
[www.diamondc.com](http://www.diamondc.com)



# FMAX310

Triple Dual Wheel Gooseneck (Straight Deck)

FMAX310SD		
LENGTH	A	B
25'	189"	106"
28'	214"	117"
30'	230"	125"
32'	226"	152"
35'	267"	148"
36'	274"	152"
38'	292"	159"
40'	309"	167"
44'	339"	184"



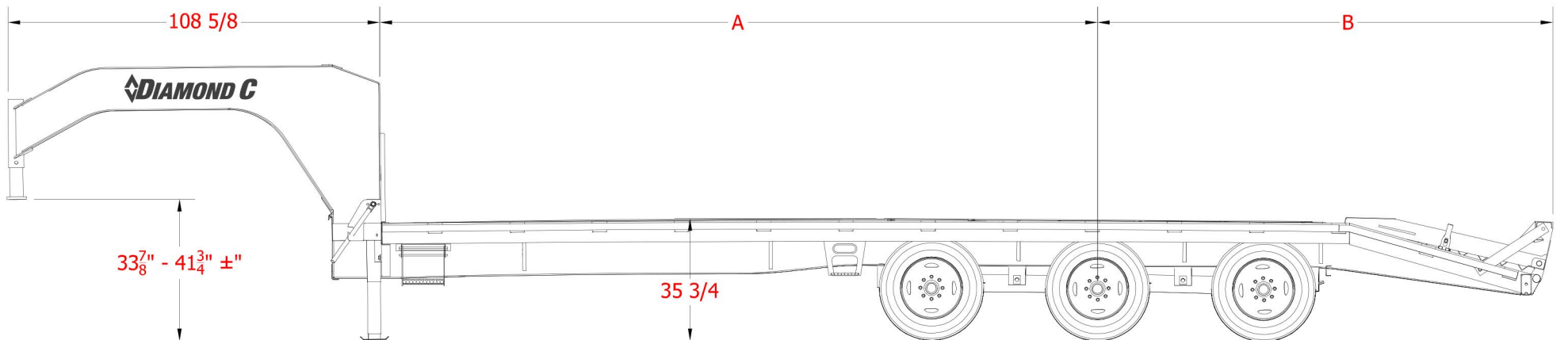
see the difference  
800.827.3512  
[www.diamondc.com](http://www.diamondc.com)



# FMAX310

Triple Dual Wheel Gooseneck Gooseneck (XDR Ramps)

FMAX310XDR		
LENGTH	A	B
28'	209"	133"
30'	216"	150"
32'	231"	159"
35'	270"	156"
38'	291"	171"
40'	313"	173"
44'	337"	197"



see the difference  
800.827.3512  
[www.diamondc.com](http://www.diamondc.com)

