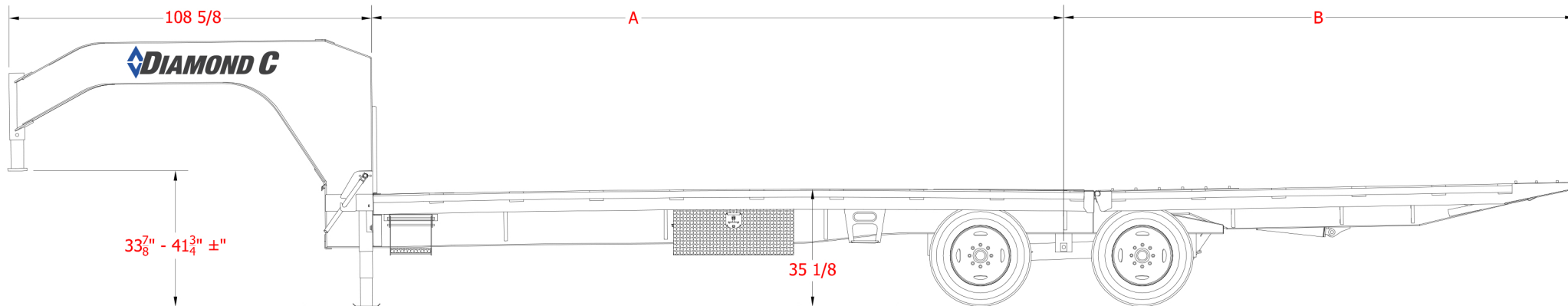


FMAX210

Tandem Dual Wheel Gooseneck (Hydraulic Dovetail)

FMAX210HDT		
LENGTH	A	B
30'	207"	153"
32'	231"	153"
35'	267"	153"
38'	303"	153"
40'	327"	153"



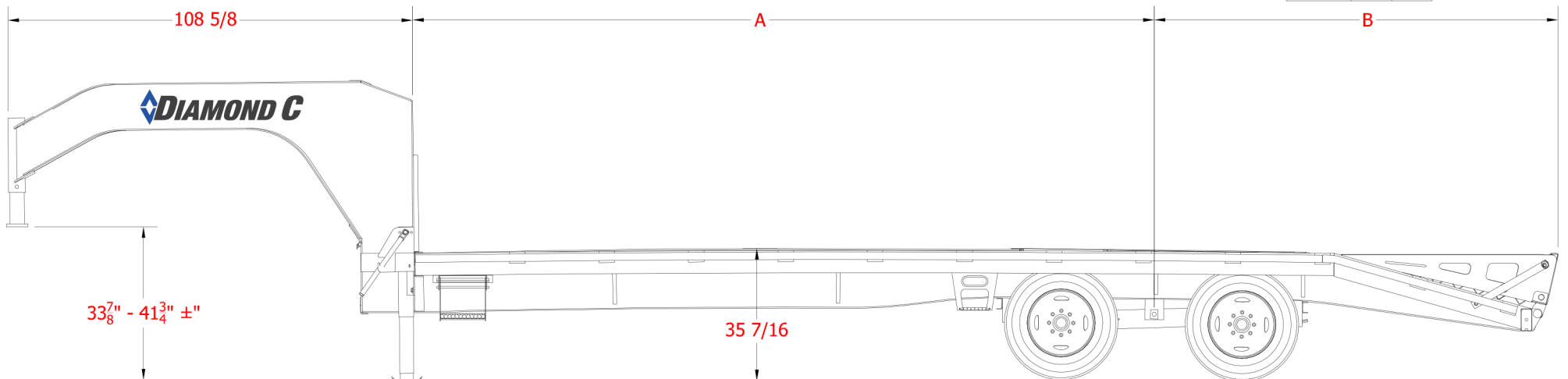
see the difference
800.827.3512
www.diamondc.com



FMAX210

Tandem Dual Wheel Gooseneck (Max Ramps)

FMAX210MR		
LENGTH	A	B
25'	199"	109"
28'	215"	127"
30'	231"	135"
32'	247"	144"
35'	270"	156"
38'	295"	168"
40'	310"	177"



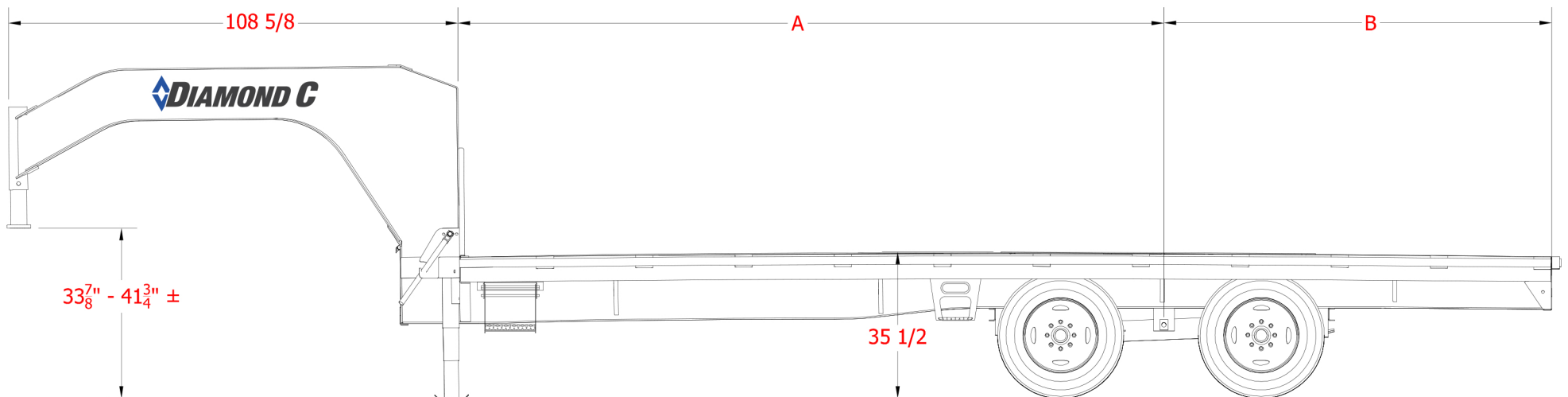
see the difference
800.827.3512
www.diamondc.com



FMAX210

Tandem Dual Wheel Gooseneck (Straight Deck)

FMAX210SD		
LENGTH	A	B
20'	153"	86"
22'	170"	94"
25'	193"	107"
28'	217"	119"
30'	231"	128"
32'	248"	136"
35'	271"	148"
38'	295"	161"
40'	310"	169"



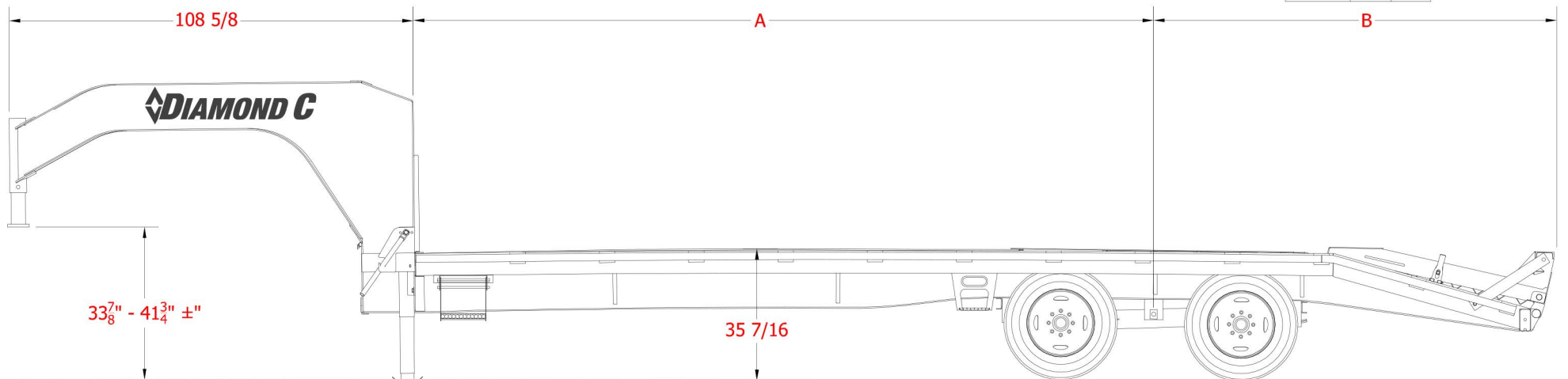
see the difference
800.827.3512
www.diamondc.com



FMAX210

Tandem Dual Wheel Gooseneck (XDR Ramps)

FMAX210XDR		
LENGTH	A	B
25'	198"	108"
28'	216"	126"
30'	231"	135"
32'	247"	143"
35'	270"	156"
38'	295"	167"
40'	310"	176"



see the difference
800.827.3512
www.diamondc.com

