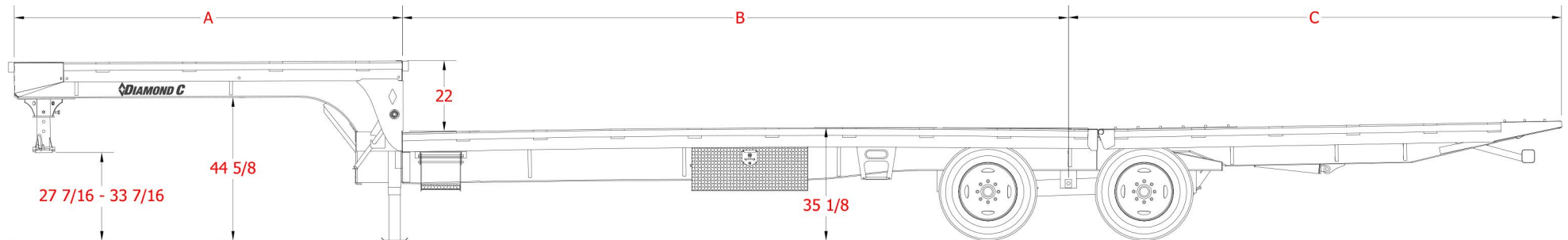


SDX212

Tandem Dual Wheel Step Deck (Hydraulic Dovetail)

SDX212HDT			
LENGTH	A	B	C
48' (10'+38')	120"	305"	151"
50' (10'+40')	120"	329"	151"
53' (10'+43')	120"	365"	151"



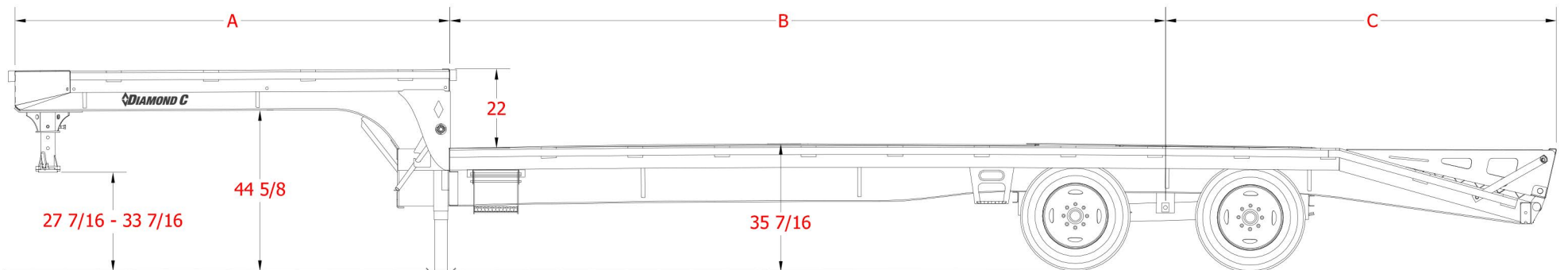
see the difference
800.827.3512
www.diamondc.com



SDX212

Tandem Dual Wheel Step Deck (Max Ramps)

SDX212MR			
LENGTH	A	B	C
48' (10'+38')	120"	295"	168"
50' (10'+40')	120"	310"	175"
53' (10'+43')	120"	334"	188"



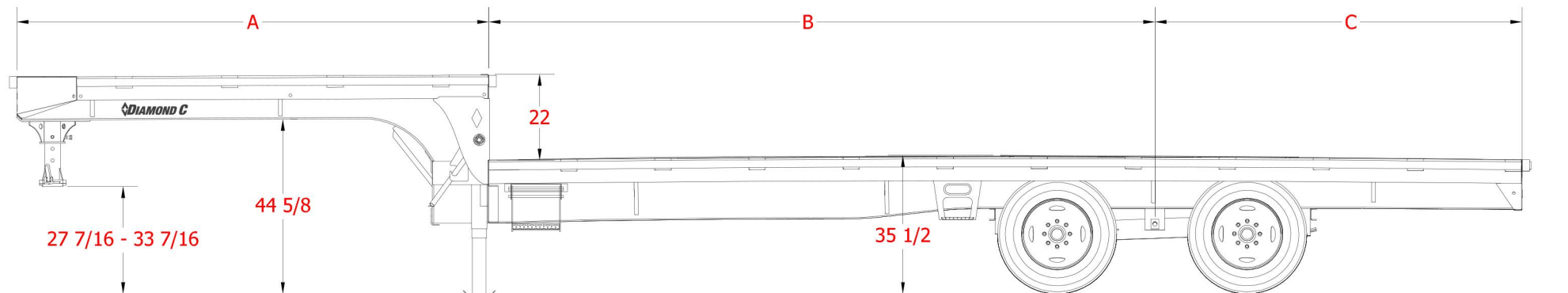
see the difference
800.827.3512
www.diamondc.com



SDX212

Tandem Dual Wheel Step Deck (Straight Deck)

SDX212SD			
LENGTH	A	B	C
48' (10'+38')	120"	294"	162"
50' (10'+40')	120"	310"	170"
53' (10'+43')	120"	331"	185"



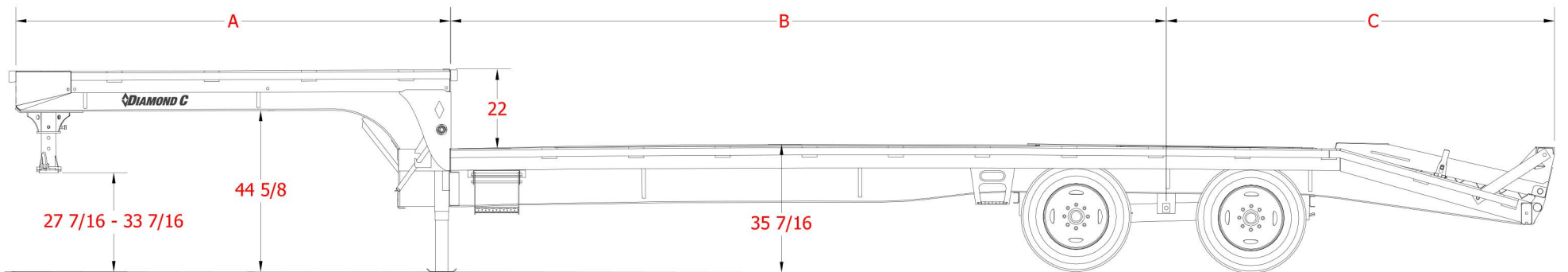
see the difference
800.827.3512
www.diamondc.com



SDX212

Tandem Dual Wheel Step Deck (XDR Ramps)

SDX212XDR			
LENGTH	A	B	C
48' (10'+38')	120"	295"	168"
50' (10'+40')	120"	310"	175"
53' (10'+43')	120"	334"	188"



see the difference
800.827.3512
www.diamondc.com

