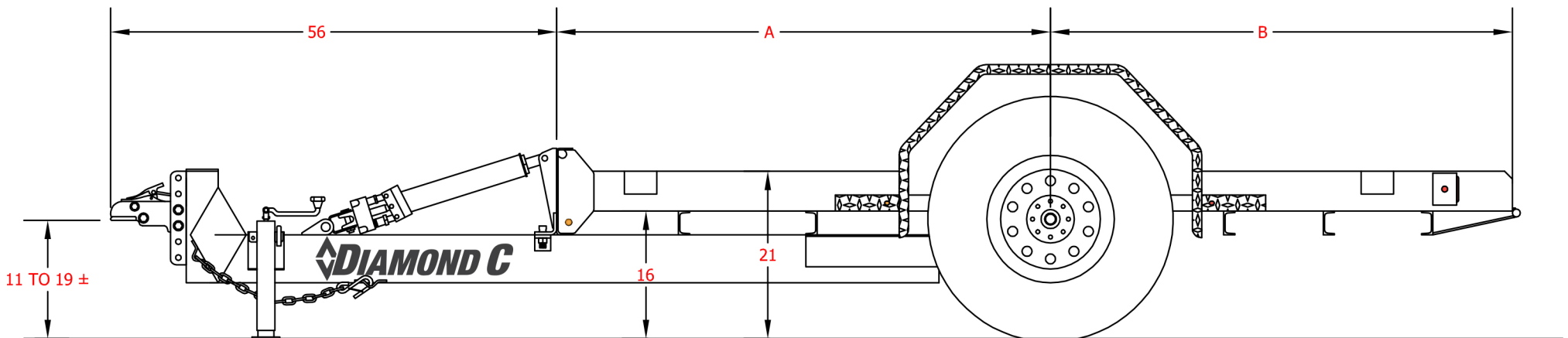


DSA

Single Axle Hydraulically Dampened Tilt Equipment Trailer

DSA		
	A	B
10'	62"	58"
12'	75 1/2"	68 1/2"

NOTE: DIMENSIONS SHOWN ARE WITH UNLOADED SUSPENSION.



 **DIAMOND C**

see the difference
800.827.3512
www.diamondc.com

